

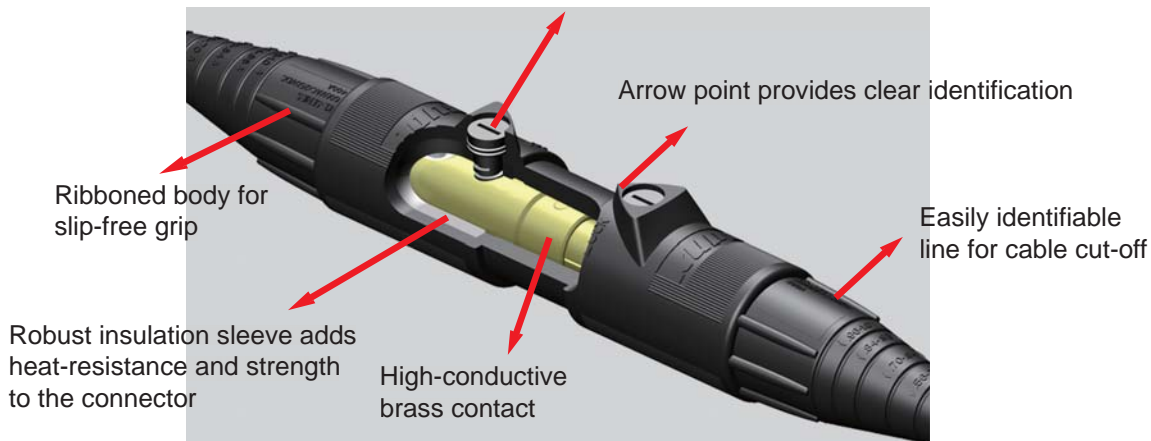
K-LOK

Features for K-LOK Single Pole Connector :

Kupo manufactures the highest quality single pole connectors available. Kupo cam-type connector has a superior non-conductive retaining screw that passed through the entire contact for superior durability. These single pole connectors have been designed with ease of assembly and disassembly in mind, no special tools are required. K-LOK series connectors mate with competitive CAM products.



Non-metallic retaining pin provides superior durability and insulation



Wide range cable access from 0.33" to 1"



Double set screw terminations



Technical Information:

Voltage Rating	600V Maximum	Contact Material	Brass
Amperage Rating	400A Maximum	Terminal Accommodation	#6, #4, #2, 2/0, 4/0
Base Compound	Santoprene 105°C rated	Retaining Pin Material	Phenolic

Technical Information:

Voltage Rating 600V Maximum
 Amperage Rating 400A Maximum
 Base Compound Santonprene 105°C rated

Contact Material Brass
 Terminal Accommodation #6, #4, #2, 2/0, 4/0
 Retaining Pin Material Phenolic



To fit smaller sizes of cable, the copper contact can be made with two smaller dimensions of cable-accessing hole upon request as following:

1. Dia. 16.90 mm (Large hole; standard K-LOK)
2. Dia. 14.60 mm (Medium hole; upon request)
3. Dia. 10.40 mm (Small hole; upon request)

K-LOK / Plug

Male	Female	Color
KL-400LMBK	KL-400LFBK	Black
KL-400LMR	KL-400LFR	Red
KL-400LMG	KL-400LFG	Green
KL-400LMW	KL-400LFW	White
KL-400LMB	KL-400LFB	Blue
KL-400LMBN	KL-400LFBN	Brown
KL-400LMGY	KL-400LFGY	Gray



Thread stud type

K-LOK / Receptacle

Male	Female	Color
KL-400SMBK	KL-400SFBK	Black
KL-400SMR	KL-400SFR	Red
KL-400SMG	KL-400SFG	Green
KL-400SMW	KL-400SFW	White
KL-400SMB	KL-400SFB	Blue
KL-400SMBN	KL-400SFBN	Brown
KL-400SMGY	KL-400SFGY	Gray



Double set screws type

K-LOK / Receptacle

Male	Female	Color
KL-400SSMBK	KL-400SSFBK	Black
KL-400SSMR	KL-400SSFR	Red
KL-400SSMG	KL-400SSFG	Green
KL-400SSMW	KL-400SSFW	White
KL-400SSMB	KL-400SSFB	Blue
KL-400SSMBN	KL-400SSFBN	Brown
KL-400SSMGY	KL-400SSFGY	Gray



(Compatible with major brands of single pole cam type power connectors)

KUPO 150A Single Pole Connector (Mini-Cam)

Mini-Cam is a series of 150 Amp light duty single pole connector in addition to heavy duty 400 Amp ones. Like its heavy duty family members, Mini-Cam is also constructed of Santonprene, possessing a superior performance in insulation. With enhanced features on safety designs and wider range of cable accommodation, Mini-Cam is the ideal and reliable connector for your own job.



Mini-Cam / Plug

Male	Female	Color
KL-150LMBK	KL-150LFBK	Black
KL-150LMR	KL-150LFR	Red
KL-150LMG	KL-150LFG	Green
KL-150LMW	KL-150LFW	White
KL-150LMB	KL-150LFB	Blue
KL-150LMBN	KL-150LFBN	Brown
KL-150LMGY	KL-150LFGY	Gray

The tension hole at rear side of split contact retains the contact from too much pressed, so as to prevent the loose mating after several time of uses.

Features:

- The boot is made of UV-resistance Santonprene, providing greater protection. Much safer and more durable.
- There comes a POM (Polyformaldehyde) ring in between boot and contact, fully encompassing the copper contact to make the first layer of insulation. The profile of this POM ring is 2 times longer than the others as to provide better insulation.
- Wider range of cable accommodation from #8 AWG to #2 AWG (outside diameter up to 13.60mm); those positions are clearly engraved on the boot for easy identification.
- Applied with same design as 400A ones, the contact comes with double set screws so the cable can be firmly engaged in the position.
- Largely-ribbed housing provides comfortable and secure gripping; prolonged body helps user to hold it firmly.
- Comes with two different length of set screw for maximum flexibility of matching different size of cable.
- Wire stripping scale is shown on the boot for user easy check-up while assembling the cable; outstanding arrow point provides convenient mark for mating the connectors.
- Compatible with other brands of same 150A rated connectors.
- UL/cUL certificated

Panel Mount Type

- The design of KUPO Panel Mount baby cam is same as Advanced Device' s.
- The instruction on the backside of body.
- The thread bolt is 19mm.

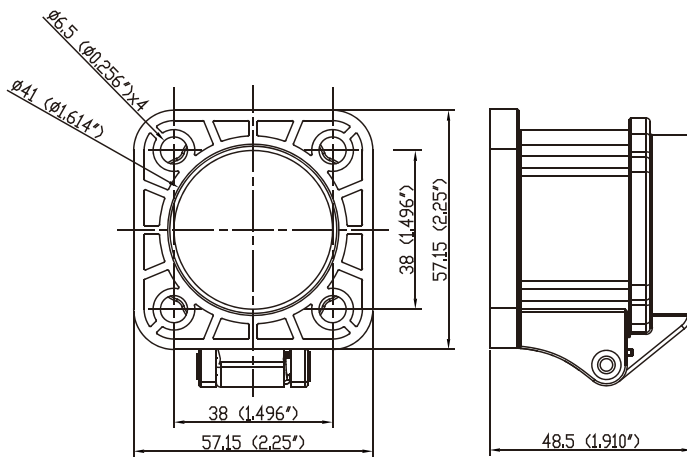


Mini-Cam / Receptacle

Male	Female	Color
KL-150SMBK	KL-150SFBK	Black
KL-150SMR	KL-150SFR	Red
KL-150SMG	KL-150SFG	Green
KL-150SMW	KL-150SFW	White
KL-150SMB	KL-150SFB	Blue
KL-150SMBN	KL-150SFBN	Brown
KL-150SMGY	KL-150SFGY	Gray

K-LOK Dust Cover

Weatherproof snap back protective cover to fit all compatible brands of 400A cam type receptacles. Standard frame dimension allows retrofit existing application easily. The gasket offers a NEMA 3R rated environmental seal that provides a protection against falling rain, dust or frost, and also provides a safe way to cover exposed metal, while keeping the weather out when the receptacle is not use. Kupo Dust Cover is made from a high impact resistant, flame retardant ABS material and corrosion resistant stainless steel hardware. Five colors available for phase identification.



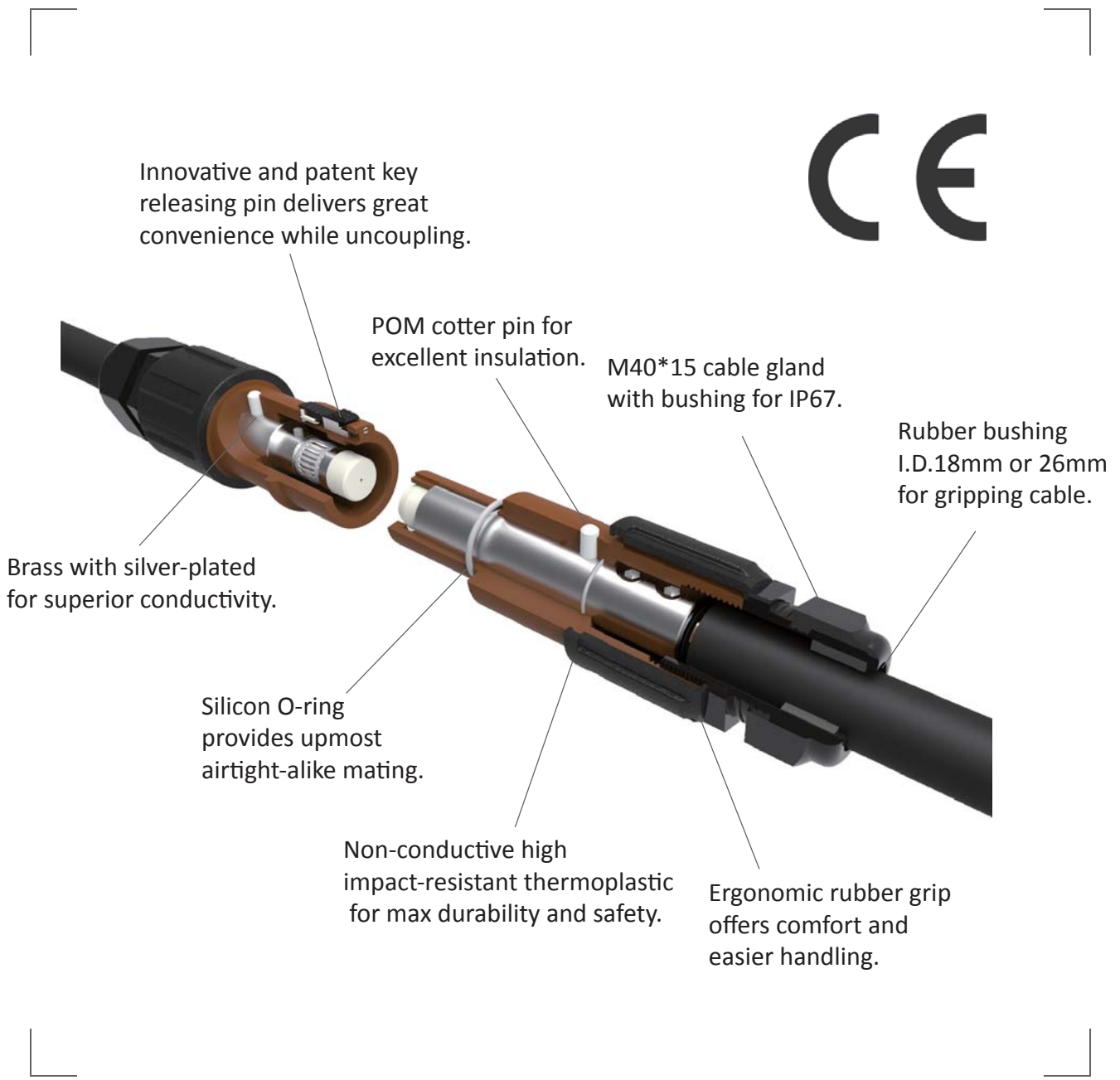
Part Number	Color
KL-DCBK	BLACK
KL-DCW	WHITE
KL-DCB	BLUE
KL-DCR	RED
KL-DCG	GREEN
KL-DCBN	BROWN
KL-DCGY	GRAY



POWERFIT 400AMP Connectors

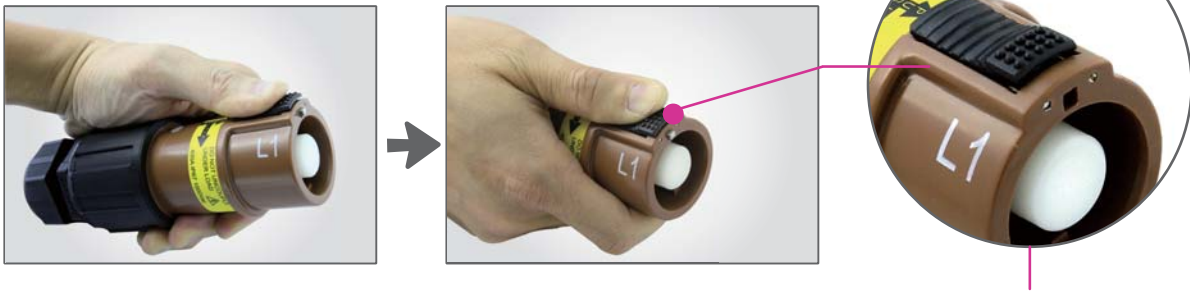
PowerFit connectors are well fabricated and compatible with major brands of single-pole power connector. The invented patent key releasing pin, particularly embedded on each line source and panel source, delivers great convenience without additional tool while uncoupling.

PowerFit is made in high standards. Full series employ high impact and temperature resistance thermoplastic, with flame retardant compound. Ergonomic rubber hand grip on each line connector provides the great comfort to the utility. The M40 cable gland comes standard and while connectors mated, it becomes IP 67 rated. Unsurpassed pushing button design makes the handling of coupling and uncoupling easier. Respective phase and line information is clearly marked on the connectors for easy identification. The contact is made of brass with silver plated, provide excellent conductivity. Cotter pin is made of POM featuring great insulation, high stiffness, low friction and absorbent.



Technical Information

- Current Rating: 400A continuous with 120mmsq cable
- Withstanding Voltage: 1000Vac
- Test Voltage: 4500Vac
- Short Circuit Rating: Up to 35.5kA
- Insulation Resistance: > 5000 M Ohms at 500Vac
- Contact Resistance: <0.1m Ohms
- IP rating while mated: IP67
- Contact Material: Brass with silver plated
- Housing Material: High Impact Resistant Thermoplastic
- Cotter Pin Material: POM
- Working Temperature: -45 to 85 Degree C
- Contact Type: Set Screw
- Set Screw Torque on Brass Contact: 10.5 N/meter (minimum required)
- Mating Cycle: > 500
- Flammability: UL94-V0
- CE and RoHS compliant



Innovative push-to-release design makes the uncoupling handy without additional Tool. This can be dismantled through small slotted screwdriver if needed.

M40 cable gland comes with two rubber sleeves (I.D. 18 & 26 mm) for the greatest flexibility with fitting the cable.



Comfort handling with superior & ergonomic rubber grip.



R120 reduction sleeve made of brass with silver plated for accommodating up to dia. 16.50 mm wire.



Longer cotter pin for line source one for line drain. For safety, never reuse cotter pin.



Line Source:

- With a male contact, mating Line Drain or Panel Drain.
- Ergonomic hand grip assists easier handling.
- Color coded and mechanically keyed to prevent mating errors.
- Contacts fitted with a plastic end cap to prevent accidental touching of live parts.
- IP 2X finger protection against electric shock.
- M40 cable gland is supplied with two rubber bushings, 18mm (I.D.) and 26m (I.D.), for gripping cables up to 19-28mm diameter
- R120 Reduction Sleeve, 16.50mm (I.D.) x 32mm(L), is included as standard for cable diameter 120mmsq; other size of sleeve is available upon request.
- Innovative key-release pin for easy uncoupling without additional tool
- Shorter POM cotter pin is equipped
(Never reuse cotter pin; reusing cotter pin might expose the operation to electrical danger)



LINE 1-Line Source



LINE 2-Line Source



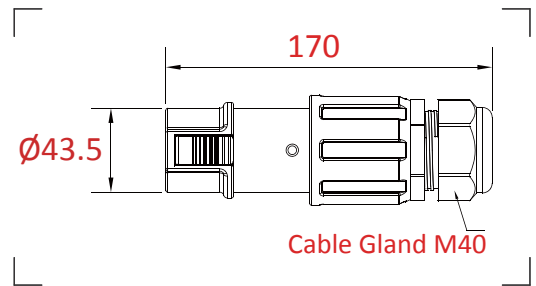
LINE 3-Line Source



NEUTRAL-Line Source



EARTH-Line Source



POWERFIT PART NUMBER EXPLANATION					
Part Number	Type	Key Position	Color	Contact	Cable Gland Clamping
PFLS-1BN-S120M40A	Line Source	Line 1	Brown	Set Screw 120mmsq	M40 / 1928mm
PFLS-2BK-S120M40A	Line Source	Line 2	Black	Set Screw 120mmsq	M40 / 1928mm
PFLS-3GY-S120M40A	Line Source	Line 3	Grey	Set Screw 120mmsq	M40 / 1928mm
PFLS-NBL-S120M40A	Line Source	Neutral	Blue	Set Screw 120mmsq	M40 / 1928mm
PFLS-EGN-S120M40A	Line Source	Earth	Green	Set Screw 120mmsq	M40 / 1928mm

Line Drain:

- With a female contact, mates with Line Source or Panel Source.
 - Ergonomic hand grip assists easier handling.
 - Color coded and mechanically keyed to prevent mating errors.
 - Contacts fitted with a spring plastic end cap to prevent accidental touching of live parts.
 - IP 2X finger protection against electric shock.
 - Secondary spring pin will engage with a slot of source connector to prevent the connectors being uncoupled.
 - M40 cable gland is supplied with two rubber bushings, 18mm (I.D.) and 26m (I.D.), for gripping cables up to 19-28mm diameter.
 - R120 Reduction Sleeve, 16.50mm (I.D.) x 32mm(L), is included as standard for cable diameter 120mmsq; other size of sleeve is available upon request.
 - Longer POM cotter pin is equipped.
- (Never reuse cotter pin; reusing cotter pin might expose the operation to electrical danger)



LINE 1-Line Drain



LINE 2-Line Drain



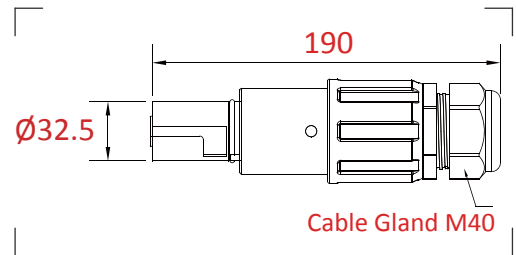
LINE 3-Line Drain



NEUTRAL-Line Drain



EARTH-Line Drain



POWERFIT PART NUMBER EXPLANATION

Part Number	Type	Key Position	Color	Contact	Cable Gland Clamping
PFLD-1BN-S120M40A	Line Drain	Line 1	Brown	Set Screw 120mmsq	M40 / 1928mm
PFLD-2BK-S120M40A	Line Drain	Line 2	Black	Set Screw 120mmsq	M40 / 1928mm
PFLD-3GY-S120M40A	Line Drain	Line 3	Grey	Set Screw 120mmsq	M40 / 1928mm
PFLD-NBL-S120M40A	Line Drain	Neutral	Blue	Set Screw 120mmsq	M40 / 1928mm
PFLD-EGN-S120M40A	Line Drain	Earth	Green	Set Screw 120mmsq	M40 / 1928mm

Panel Source:

- With a male contact, mates with Line Drain.
- Supplied with M12 threaded post with brass nut and spring washer for cable attachment.
- Color coded and mechanically keyed to prevent mating errors.
- Contacts fitted with a plastic end cap to prevent accidental touching of live parts.
- IP 2X finger protection against electric shock.
- 4 x dia. 5.5mm fixing holes on the flange.
- Innovative key-release pin for the uncoupling without additional tool.



LINE 1-Panel Source



LINE 2-Panel Source



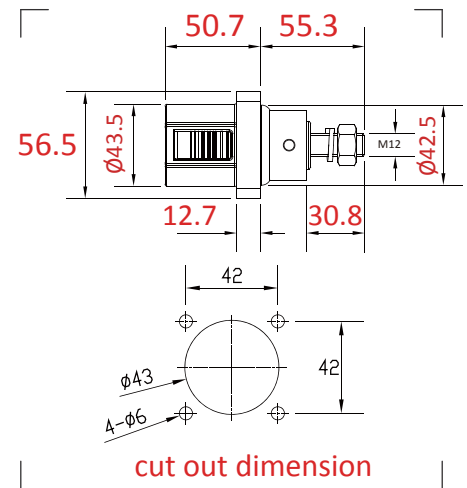
LINE 3-Panel Source



NEUTRAL-Panel Source



EARTH-Panel Source



POWERFIT PART NUMBER EXPLANATION				
Part Number	Type	Key Position	Color	Thread & Nut
PFPS-1BN-S120M40A	Panel Source	Line 1	Brown	M12
PFPS-2BK-S120M40A	Panel Source	Line 2	Black	M12
PFPS-3GY-S120M40A	Panel Source	Line 3	Grey	M12
PFPS-NBL-S120M40A	Panel Source	Neutral	Blue	M12
PFPS-EGN-S120M40A	Panel Source	Earth	Green	M12

Panel Drain:

- With a female contact, mates with Line Source.
- Supplied with M12 threaded post with brass nut and spring washer for cable attachment.
- Color coded and mechanically keyed to prevent mating errors.
- Contacts fitted with a spring plastic end cap to prevent accidental touching of live parts.
- IP 2X finger protection against electric shock.
- 4 x dia. 5.5mm fixing holes on the flange.
- Secondary spring pin will engage with a slot of source connector to prevent the connectors being uncoupled.



LINE 1-Panel Drain



LINE 2-Panel Drain



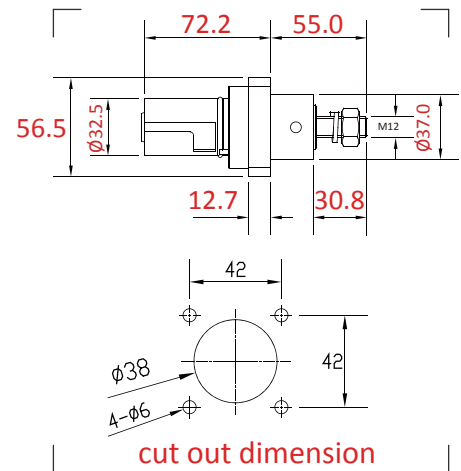
LINE 3-Panel Drain



NEUTRAL-Panel Drain



EARTH-Panel Drain



POWERFIT PART NUMBER EXPLANATION				
Part Number	Type	Key Position	Color	Thread & Nut
PFPD-1BN-S120M40A	Panel Drain	Line 1	Brown	M12
PFPD-2BK-S120M40A	Panel Drain	Line 2	Black	M12
PFPD-3GY-S120M40A	Panel Drain	Line 3	Grey	M12
PFPD-NBL-S120M40A	Panel Drain	Neutral	Blue	M12
PFPD-EGN-S120M40A	Panel Drain	Earth	Green	M12

B&B stands for Blue lid and Black body, is specially designed for entertainment industry, for 250 voltage rating identification and antireflection with matt black finish. That makes the connectors harmonized with the background during a presentation of a production. The professional connector also has CE approval and IP 44 rating to meet the safety standard. It can work stable in low and high temperature indoor or outdoor environment; and widely applied to factor power distribution system, machinery, building site, stage equipments etc.

More Features:

1. Screw-free to lock the housings by twist-lock action.
2. Easy press by needle nose of tool to unlock and twist to open.
3. Lockable cable gland for a quick and firm grip.
4. Adjustable inner gasket for different cable diameters.
5. Constructed by anti-corrosive, high dielectric shock-resistance material.



**B&B
KHTN213**



**B&B
KHTN013**



**B&B
KHTN413**



CEE FORM CONNECTOR

Cat. No.	AMP	PIN	DESCRIPTION	Cat. No.	AMP	PIN	DESCRIPTION
KHTN013	16	3	cable male (B&B)	KHTN213	16	3	cable female (B&B)
KHTN014	16	4	cable male	KHTN214	16	4	cable female
KHTN023	32	3	cable male	KHTN223	32	3	cable female
KHTN025	32	5	cable male	KHTN225	32	5	cable female
				KHTN413	16	3	panel female (B&B)

SCHUKO CONNECTOR

Cat. No.	AMP	PIN	DESCRIPTION	Cat. No.	AMP	PIN	DESCRIPTION
131	16	2	cable male	CZ03	16	2	panel female

KHTN014



KHTN023



KHTN025



131



KHTN214



KHTN223



KHTN225

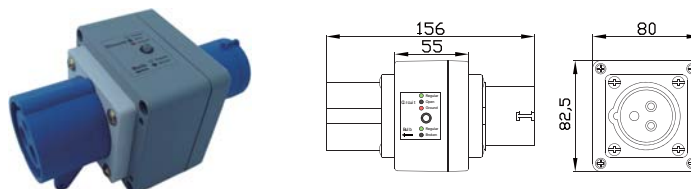


CZ03



CEE TESTER

Convenient and hand-held device to carry out testing for CEE extension cable. Also capable of diagnosing the condition of lamp without taking lamp out of fixture. Built-in LED indicator showing test result.



Rubber Distribution Box

Kupo Power distribution boxes are designed from the rubber material for the body and the 1.2mm thickness steel material for the sinking front panel. The rubber material makes the power distribution box stronger. It is sturdy, durable and lightweight. The internal wiring consists 1.5mmsq silicon cable as standard. The sinking front panel for a better protection of each connector. The following is the range of power distribution boxes, other variations of power distribution boxes are available upon request.

KRB-01 Rubber Distribution Box with Stage 3 pin connectors

- * 275mm (L) x 100mm (W) x 50mm (H)
- * with 4 channels stage 3 pin female socket & 32A CEE form Line male connectors.
- * with 40cm cable (wired)



KRB-02 Rubber Distribution Box with CEE form connectors

- * 275mm (L) x 100mm (W) x 50mm (H)
- * with 3 channels CEE form female socket & 32A CEE form Line male connectors.
- * with 40cm cable (wired)



KRB-03 Rubber Distribution Box with SHUKO connectors

- * 275mm (L) x 100mm (W) x 50mm (H)
- * with 4 channels SHUKO form female socket & 32A CEE form Line male connectors.
- * with 40cm cable (wired)



Custom Designs Welcome!