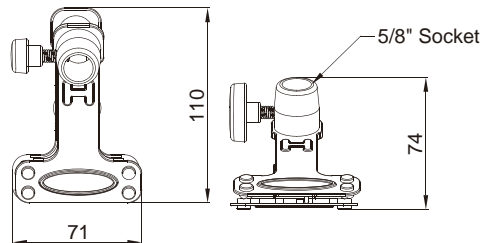


KCP-350B Mini Ali Clamp - Black

KCP-350 Mini Ali Clamp - Polish

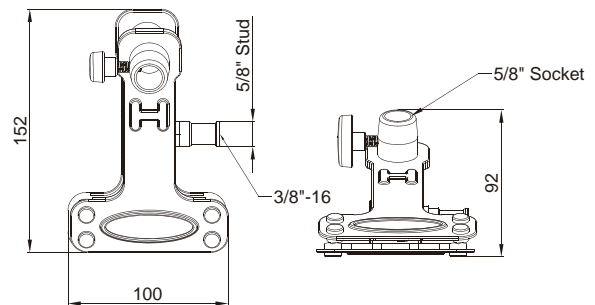
A compact clamp with 35mm clamping range similar to the Ali clamp but smaller. One of the most useful tool for photographer, it can mount to the top of any lighting stand with 5/8" socket or stud to hold props, reflectors and background drop or clip a small light fixture for tabletops shooting.



KCP-360B Ali Clamp - Black

KCP-360 Ali Clamp - Polish

It is a handy multi-purpose steel clamp features three attachment methods: a spring-tension with rubber feet protection clamp which has a clamping range of 5-40mm, a 5/8" female socket and a 5/8" stud so it can be mount into a lighting stand, Convi Clamp, Super Viser or Grip Head to hold reflectors, gels, foam cores or flash securely in the studio and on location.



KCP-390 Off Camera Flash Spring Clamp

Constructed by lightweight aluminum Ali clamp and sturdy steel ball head for off camera flash light in a variety of situations. The clamp also comes with adjustable aluminum cold shoes which offers not only different size holder of flash lights but also long-lasting operation than plastic one. It's easy and convenient to attach the clamp to the plank or tube from 5~40mm with the strong spring steel equipped inside the clamp. The 16mm stud with 3/8" thread hole and the sockets are attached with the clamp can be connected with light stands and umbrella.



The holes designed for umbrella

Application

