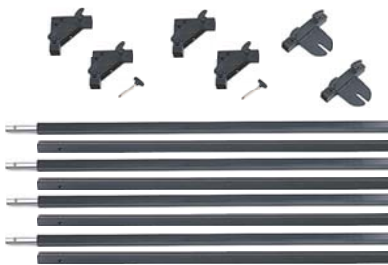


Kupo butterfly frames are made of heavy duty 30mm square section aluminum tubes, which can be easily and pin lock together and disassembled for storage and transportation.

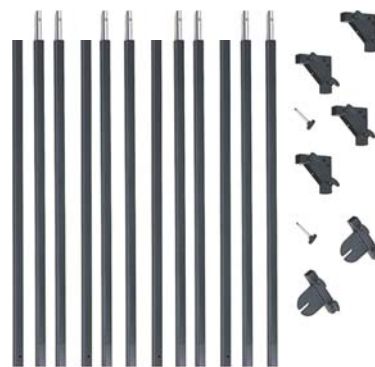
KH-06 Butterfly frame
6' x 6' (1.8m x 1.8m)



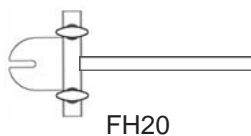
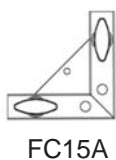
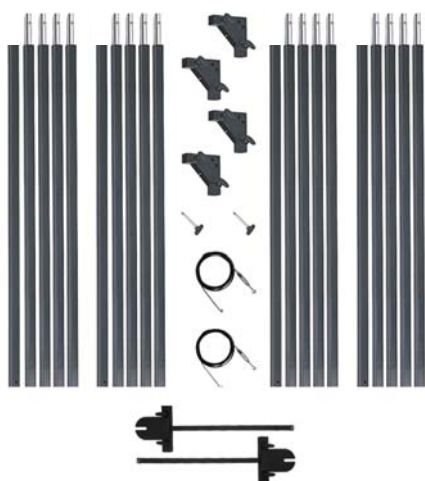
KH-08 Butterfly frame
8' x 8' (2.4m x 2.4m)



KH-12 Butterfly frame
12' x 12' (3.6m x 3.6m)



KH-20 Butterfly frame
20' x 20' (6m x 6m)



BF 40 4'	BF 60 6'
BF 45 4'	BF 65 6'

Features:

Capture frame within the corners for storage and easy handling.



Easily slots and pin lock connector



The corner contain all tubes in a captive state, for a convenient storage and transportation. No more loose pieces that could be lost or damaged.



Kupo Round Pipe Butterfly Frame Kits is made by 1.5mm thickness steel with chrome plated surface treatment. It contains corners, connectors and ears that offers the ability to make butterfly frames in desired sizes with standard size pipe included 1-1/2"(38.1mm) or 1-1/4" (31.88)mm.

KH-L114 Round Pipe Butterfly frame for 1-1/4" Pipe Kits

KH-L112 Round Pipe Butterfly frame for 1-1/2" Pipe Kits



KHR-L114 Frame Corner
for 1-1/4" (31.8mm) Pipe

KHR-L112 Frame Corner
for 1-1/2" (38.1mm) Pipe

KHR-C114 Frame Connector
for 1-1/4" (31.8mm) Pipe

KHR-C112 Frame Connector
for 1-1/2" (38.1mm) Pipe

KHR-E114 Frame Ear
for 1-1/4" (31.8mm) Pipe

KHR-E112 Frame Ear
for 1-1/2" (38.1mm) Pipe



Features:

Steel ring welded on the corner to enhance stability of frames by strings.

Steel boss welded on the tube to keep the long-lasting operation of knobs.

Two drilled holes on the corner for checking if the pipe is securely tighten by knob.

